



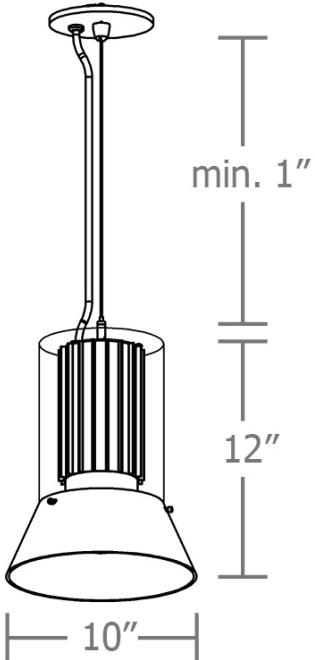
fun.I™ 5-slider

your lighting rep has recommended the **fun.I™** pendant for your project
Let's take a quick look:



sizes and lumens

P9712



- P9712 (12") / 1600 – 2300 lm



construction

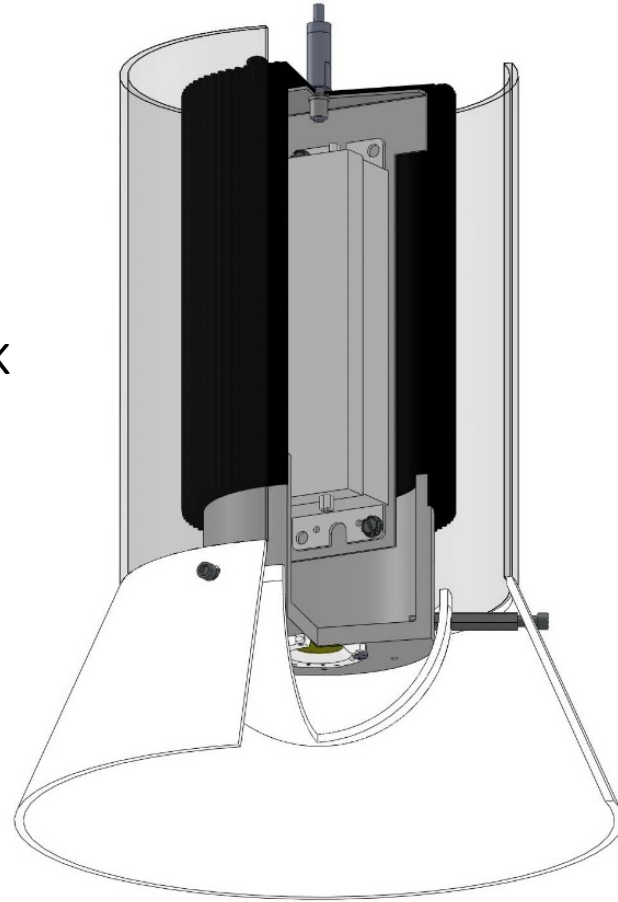
option to wire for remote emergency battery pack, supplied by other

single COB LED module in 80+ CRI standard or optional 90 CRI 2700K, 3000K, 3500K and 4000K

6" dia. .100" clear acrylic cylinder surrounds the power head

10" dia. gloss white acrylic cone diffuser, solvent welded to the clear cylinder

integral programmable driver, constant current, field maintainable, universal input (120-277v), 0-10v controllable to 1% dimming



secondary white diffuser dome over LED softens down light

5" dia. mounting canopy with single or dual stainless steel cable hanging system w/ field adjustable gripper(s) for exact mounting height

2 anodized finishes, 18 standard powder coat paint finishes + custom RAL colors

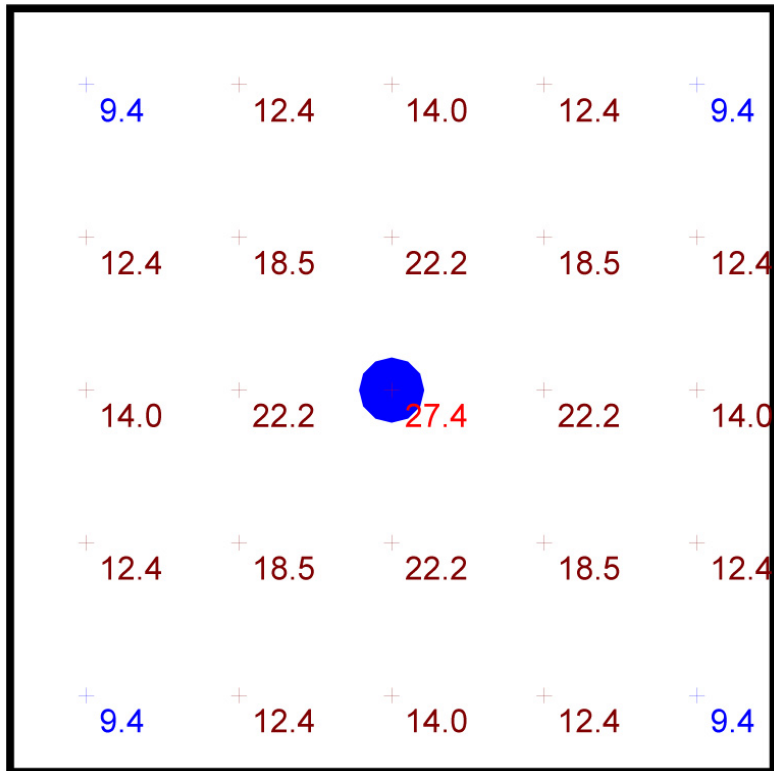
(POC) power over cable suspension system option provides a clean look without the need for a separate power cord

optional color cloth power cord in blue, orange, purple, red, or white & gray dot

performance

Statistics

Description	Symbol	Avg	Max	Min	Max/Min	Avg/Min
fun.l	+	15.3 fc	27.4 fc	9.4 fc	2.9:1	1.6:1



Plan View
Scale - 1" = 2ft

- 10' x 10' x 10'H space
- 80/50/20 reflectances
- bottom of fixture at 8' aff
- FC readings at 2.5' aff
- layout conducted using LO lumen package (2300 delivered lumens)





www.impactltg.com

- spec sheet and color chart
- photometric files and BIM models
- built to order in Saint Louis, MO, USA
- 4-week lead time

fun.I™ 5-slider

